

Technical data sheet

Product features



Bain marie trolley electric GN 2-1/1 controllers on shorter side with rack

Model	SAP Code	00000080
--------------	-----------------	----------



- Drain: Yes
- Material: AISI 304 top plate, AISI 430 cladding
- Protection of controls: IPX4
- Maximum device temperature [°C]: 90

SAP Code	00000080	Power electric [kW]	1.400
Net Width [mm]	598	Loading	230 V / 1N - 50 Hz
Net Depth [mm]	874	Number of GN / EN	2
Net Height [mm]	905	GN / EN size in device	GN 1/1
Net Weight [kg]	39.00	GN device depth	200

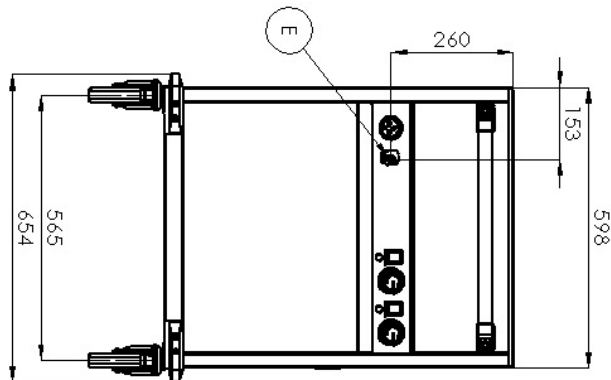
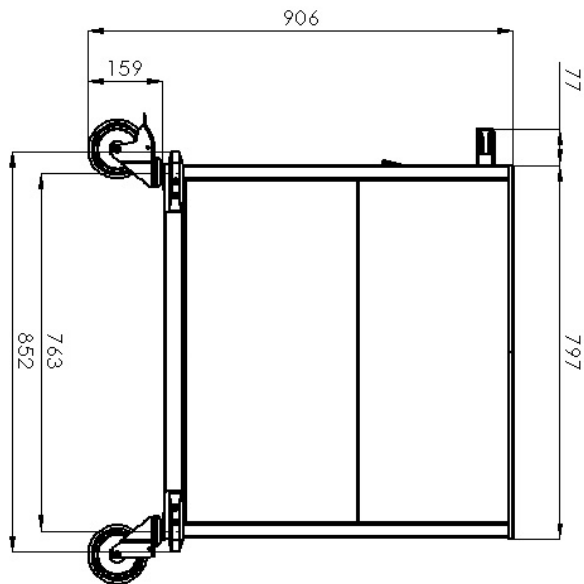
Technical data sheet

Technical drawing



Bain marie trolley electric GN 2-1/1 controllers on shorter side with rack

Model	SAP Code	0000080
--------------	-----------------	---------



Technical data sheet

Product benefits



Bain marie trolley electric GN 2-1/1 controllers on shorter side with rack

Model	SAP Code	0000080
-------	----------	---------

1

Shelf

- greater strength
- more stability
 - storage space

2

Braked wheels

- easy to control
- more comfort for the operator
 - safety
 - stability

3

Deep-draft bathtubs

- basins without sharp transitions, edges and corners
- easy maintenance
 - perfect sanitation

4

Controlling each bath separately

- variability of use
- possibility to keep different foods at different temperatures

5

All-stainless steel construction

- variability of use
- perfect sanitation
 - long service life

6

Drain valve under the bathtub

- safer placement of the drain valve
- valve positioning prevents unintentional contact and possible scalding

7

Handrail

- handle made of robust stainless steel tube
possibility of placement on the shorter or longer side
- easy handling of the dispensing tub

Technical data sheet

Technical parameters



Bain marie trolley electric GN 2-1/1 controllers on shorter side with rack

Model	SAP Code	00000080
--------------	-----------------	----------

1. SAP Code:

00000080

2. Net Width [mm]:

598

3. Net Depth [mm]:

874

4. Net Height [mm]:

905

5. Net Weight [kg]:

39.00

6. Gross Width [mm]:

750

7. Gross depth [mm]:

910

8. Gross Height [mm]:

1010

9. Gross Weight [kg]:

40.00

10. Device type:

Electric unit

11. Construction type of device:

On wheels

12. Power electric [kW]:

1.400

13. Loading:

230 V / 1N - 50 Hz

14. Protection of controls:

IPX4

15. Device color:

Stainless steel

16. Material:

AISI 304 top plate, AISI 430 cladding

17. Maximum device temperature [°C]:

90

18. Minimum device temperature [°C]:

30

19. Adjustable feet:

No

20. Drain:

Yes

21. Number of GN / EN:

2

22. GN / EN size in device:

GN 1/1

23. GN device depth:

200